

# REFRACTOR-KERATOMETER RC-5000

ELECTRONIC-CONTROLLED

## DELIGHT IN SIGHT

Ultimate precision and comfort.  
Only a touch away.



- Central + peripheral K-values
- Pupil + cornea  $\varnothing$  measurement
- Power motion joystick
- Auto alignment + auto measurement
- Colour touch screen

 **TOMEY**  
TECHNOLOGY AND VISION

# THE TOMHEY REFRACTOR-KERATOMETER RC-5000



## QUALITY IN DETAIL

### Refractor-Keratometer with touch screen

The RC-5000 sets the standard of modern eye diagnostic. Thanks to the electronic controlled movement you can operate and align the RC-5000 through both – power motion joystick and/or touch screen – all this in fraction of seconds. Highly accurate measurements combined with the very short examination time and easy handling makes working with the TOMHEY RC-5000 professional and quick.

### Colour touch screen

The 5.7 inch colour touch screen is used as operating monitor as well as for displaying all measured values. You can even move the head in all directions by simply touching the screen. All commands can be done via touch screen.

### Pupil + cornea $\phi$ measurement

Once you have captured your patients' eye you can set the pupil and cornea measurement bars to individual diameters. These values will also be stored, displayed and printed.

### Auto alignment + auto measurement

The handling of the RC-5000 is very easy – by aligning the optical head towards the patients' eye the fine adjustment and automatic measurement are automatically taken over by the instrument itself. Moving from right to left eye is done just with a tip on the screen.

### Central + peripheral K-values

The RC-5000 provides you the central ( $\phi$  3 mm) and peripheral ( $\phi$  6 mm) Keratometer readings measured at one time within a second. You can take these readings from a cornea or the back surfaces of a RGP contact lens.

## SPECIFICATIONS

### REFRACTIVE POWER MEASUREMENT

#### Spherical refractive power (S)

Measurement range -25.00 D to +22.00 D (at VD = 12.0 mm)  
Display unit 0.01 D, 0.12 D, 0.25 D

#### Cylindrical refractive power (C)

Measurement range 0 D to  $\pm 10.00$  D (at VD = 12.0 mm)  
Display unit 0.01 D, 0.12 D, 0.25 D

#### Astigmatism axial (A)

Measurement range 0° to 180°  
Display unit 1°

### CORNEAL CURVATURE MEASUREMENT (K1, K2, AVG)

Measurement range 5.00 mm to 11.00 mm / 30.68 D to 67.50 D (n=1.3375)  
Display unit 0.01 mm

### CORNEAL ASTIGMATISM AND AXIS (C, A)

Measurement range (C) 0 D to 10 D (n=1.3375)

Measurement range (A) 0° to 180°

Measurement area cornea  $\phi$  3.0 mm / 6.0 mm (at 8.00 mm corneal curvature)

PD range 50 mm to 86 mm

Minimum pupil diameter  $\phi$  2.2 mm

Vertex distance 0 mm to 16.0 mm

### MAIN UNIT

Built-in printer Thermal printer

Output RS 232 C

Display 5.7" colour TFT

Chin rest Electr. controlled

### DIMENSIONS & ELECTRIC REQUIREMENTS

Dimensions WDH 300 x 493 x 466 mm

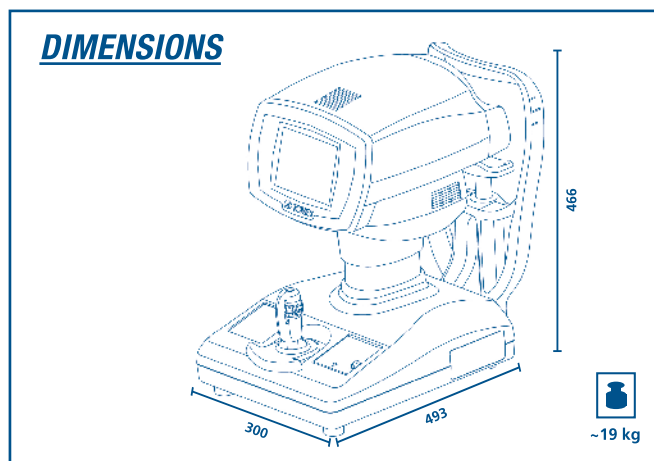
Weight Approx. 19.0 kg

Voltage 100 VAC to 240 VAC

Frequency 50/60 Hz

Power consumption 130 VA to 150 VA

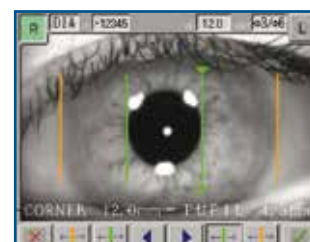
## DIMENSIONS



2015/08 - subject to change without notice



Auto alignment



Pupil & cornea measurement



Power motion joystick



**TOMEY EUROPE**  
TOMEY GmbH  
Wiesbadener Straße 21  
90427 Nürnberg, Germany  
Phone +49 911 938 546 2 0  
Fax +49 911 938 546 2 20  
Email info@tomey.de

**TOMEY ASIA-PACIFIC**  
TOMEY CORPORATION JAPAN  
2-11-33 Noritakeshinmachi  
Nishi-ku, Nagoya 451-0051, Japan  
Phone +81 52 581 5327  
Fax +81 52 561 4735  
Email intl@tomey.co.jp

**TOMEY**  
TECHNOLOGY AND VISION

www.tomey.de